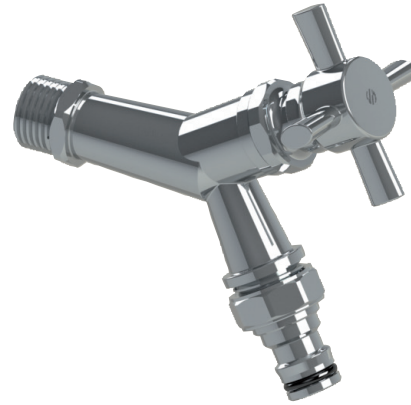




vintage taps

art



TECHNICAL SHEET 03/2017 | IPO4100

SCOPE

VINTAGE taps, due to their design and materials are intended to be used in indoor and outdoor plumbing networks like gardens, terraces, etc

In general, all those applications that require a valve to regulate and shut off the liquid flow, assuring leak tightness and fulfill all the following service conditions.

Moreover these taps VINTAGE are able to connect a hose, the model include a nozzle for that purpose.

SERVICE CONDITIONS

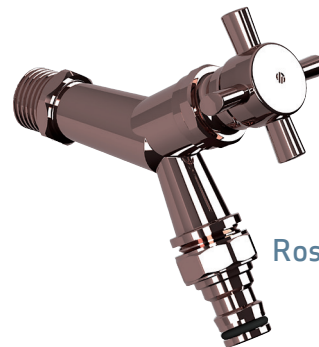
Nominal pressure:	16 bar
Test pressure:	25 bar
Temperature range:	Cold water
Fluid:	Drinking water

SURFACE FINISH

Some finishes are manufactured on demand.



Black



Rose gold



White



Chrome

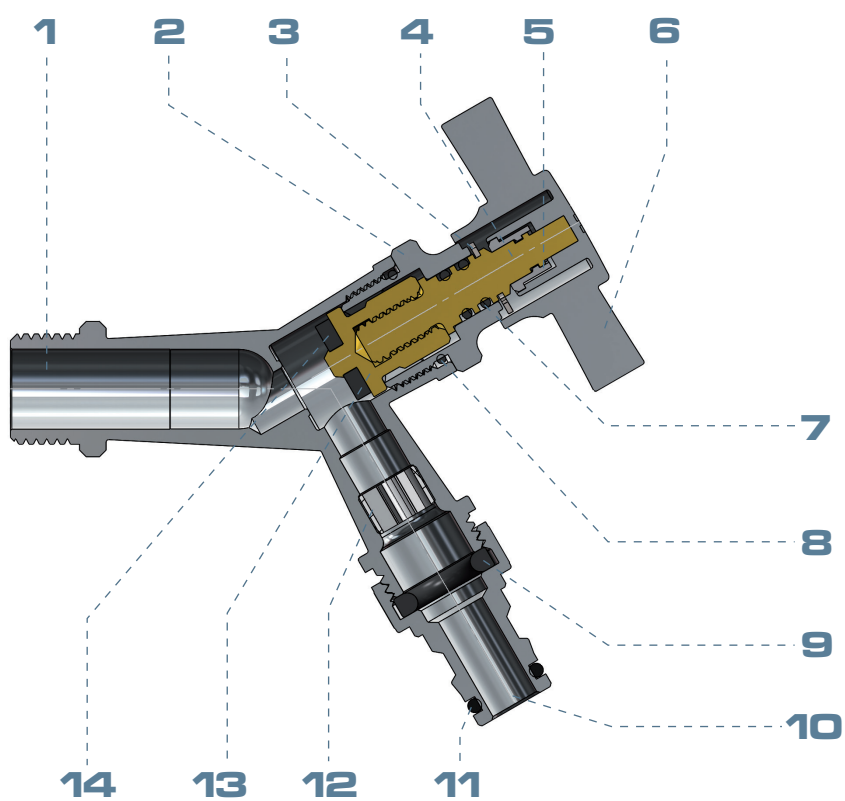


Antique brass



COMPONENTS

Item	Component	Material	Treatment
1	Body	European Brass CW617N	Chrome plated and polished
2	Handle closure	European Brass CW614N	Chrome plated and polished
3	Washer	Stainless Steel	
4	Stem	European Brass CW614N	
5	Handle supporting clip	POM	
6	Handle	Zamak	
7	O-ring	NBR	
8	O-ring	NBR	
9	Gasket	NBR	
10	Nozzle	European Brass CW614N	Chrome plated and polished
11	O-ring	NBR	
12	Diffuser	Polyamide	
13	Frame closure	European Brass CW617N	Chrome plated and polished
14	Seat	NBR	





MAIN CONSTRUCTIVE FEATURES

Body

Main body made in European brass CW617N by means of hot stamping process. This process and materials confer the following advantages versus casting valves:

- Pores and bumpy texture absence.
- Surfaces with better finished.
- Higher mechanical endurance against high pressures.
- Higher mechanical endurance during the installation.

Stem

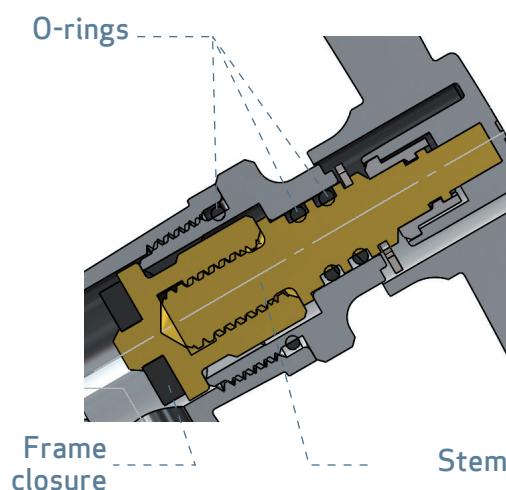
It is made of European CW614N brass multi-tum spindle. This multi-tum system and the cone-shapes end help to the controlled regulation of the flow. This component has been designed to reduce loss of pressure, increase the flow rate and avoid noise.

Internal Leak tightness

Internal leak tightness through the stem is assured by a NBR gasket.

External Leak tightness

Two NBR O-rings assure the external leak tightness through the stem and the third NBR O-ring assures the external leak tightness through the handle closure and the body. This system provides extra security against leakage, aging, wear...

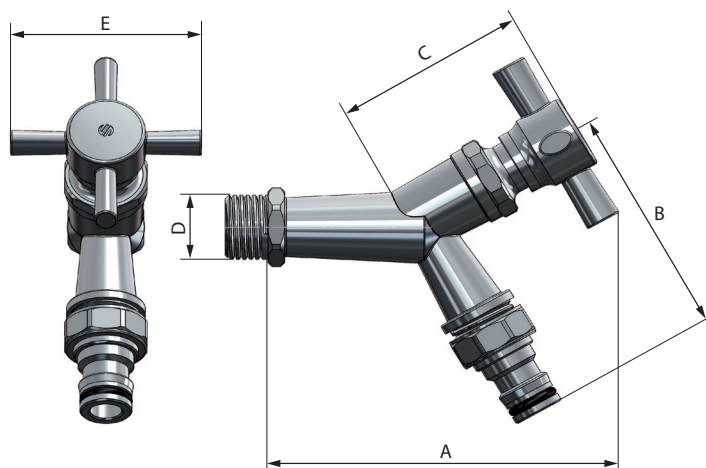


DIMENSIONS

Vintage

Size	A	B	C	D	E
1/2	106	73	56	G 1/2	58

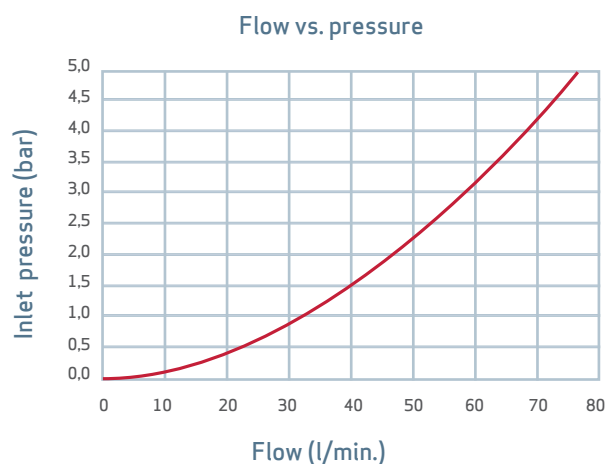
G Thread ISO 228





HYDRAULIC FEATURES

VINTAGE taps have been tested in our laboratory to determine the hydraulic features of flow vs. pressure according to European norm EN 1267.



INSTALLATION AND ASSEMBLY

Instalation

Hold the valve from the end of the connection, never from the central part or the neck of the valve in order to avoid internal components deformation, the valve could be damaged inevitably.

Components of the valve must not be altered. Except the nozzle.

