

teide plus+ valve



TECHNICAL SHEET 06/2014 | IP20050

SCOPE

TEIDE PLUS+ Series are manual radiator valves intended to be used in individual or collective bi-tube heating installations. These types of valves allow the regulation and control of the water flow in the radiator of a bi-tube heating installation.

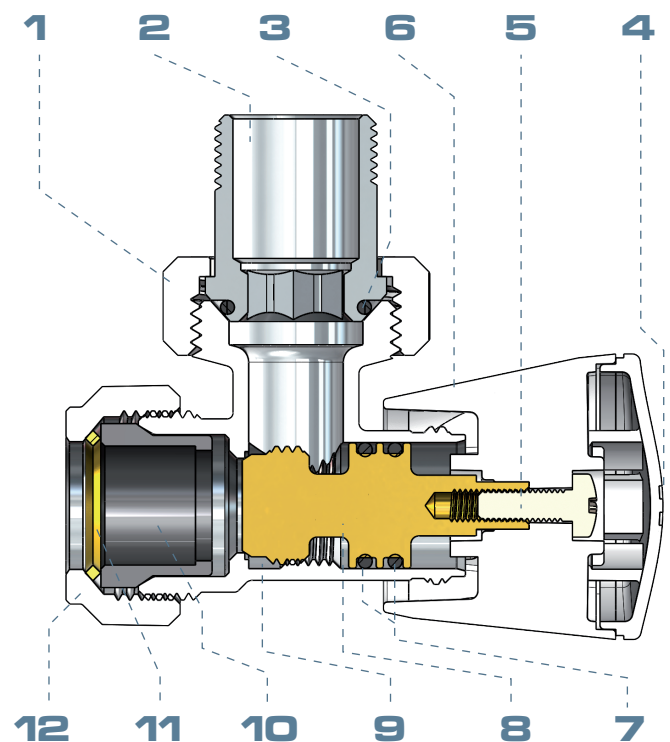
SERVICE CONDITIONS

Nominal pressure: 10 bar
Temperature range: Hot water up to 110°C

COMPONENTS

Item	Component	Material	Treatment
1	Nut	European brass CW617N	Chrome
2	Coupling	European brass CW614N	Chrome
3	O-ring	NBR	
4	Upper	ABS	
5	Screw	Brass	Nickel
6	Handle	ABS	
7	O-ring*	EPDM	
8	Stem	European brass CW614N	
9	Body	European brass CW617N	Chrome
10	Sleeve	NBR	
11	Ring	Brass	
12	Nut	European brass CW617N	Chrome

Nickel finished in every solder models.
* Viton for Solder valves





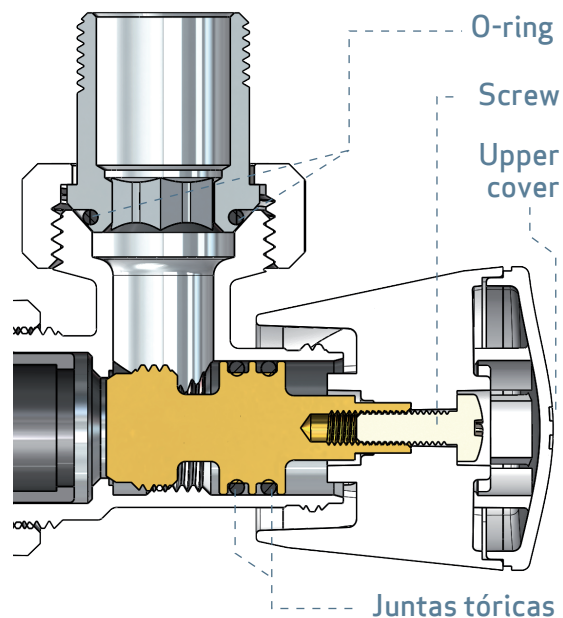
MAIN CONSTRUCTIVE FEATURES

External leak tightness

A double EPDM seal placed on the stem assures external leaktightness. The system with double seal provides extra safety against leaks, aging, wear...

Handle with hidden screw

The new handle is connected to the valve's stem via a screw to facilitate any subsequent operation of maintenance or removal, this screw is hidden by the upper cover.



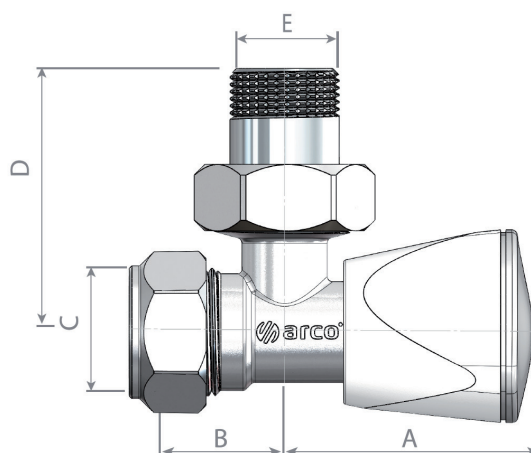
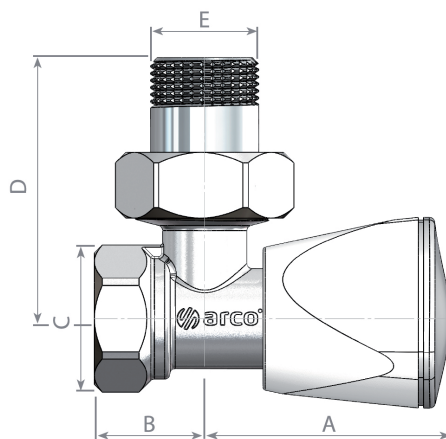
DIMENSIONS

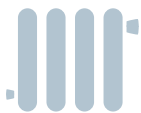
Screwed angle

Size	A	B	C	D	E
3/8	46,5	21	3/8	50	3/8
1/2	46,5	21	1/2	50	1/2
3/4	46,5	25	3/4	54	3/4

Compression angle for copper pipe

Size	A	B	C	D	E
3/8x12	46,5	29	12	50	3/8
1/2x12	46,5	29	12	50	1/2
1/2x14	46,5	29	14	50	1/2
1/2x15	46,5	29	15	50	1/2



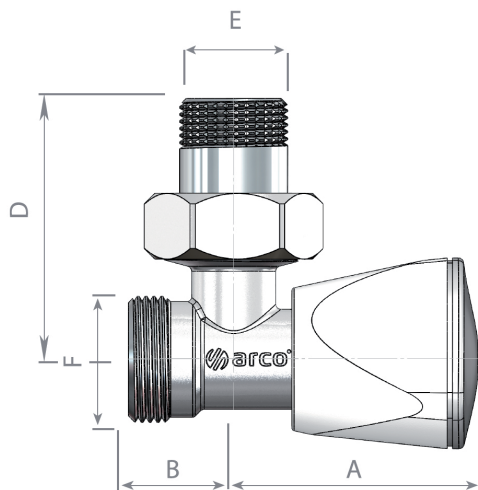


DIMENSIONS

Multilayer angle

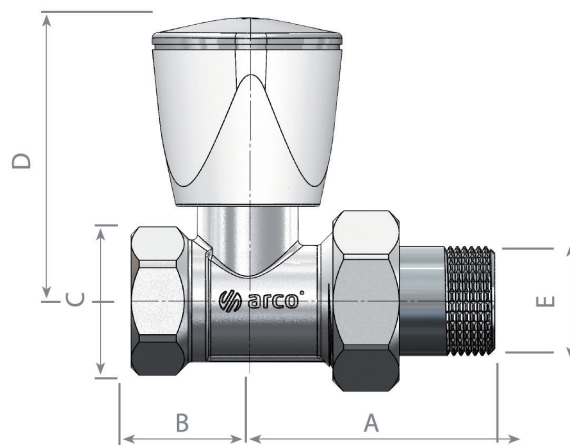
Size	A	B	C	D	E
1/2	46,5	20	M24x1,5	50	1/2

* Coupling fitting for $\varnothing 16$ & $\varnothing 20$ pipe, check available catalogue.



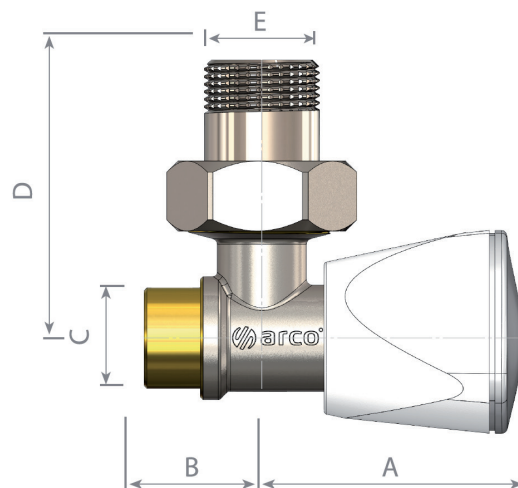
Screwed straight

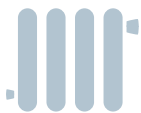
Size	A	B	C	D	E
3/8	46	22	54	3/8	3/8
1/2	46	22	54	1/2	1/2
3/4	50	29	54	3/4	3/4



Angle solder

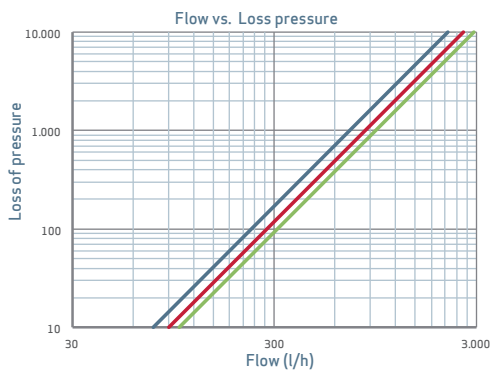
Size	A	B	C	D	E
3/8x12	46,5	21,5	15	50	3/8
1/2x15	46,5	21	15	50	1/2



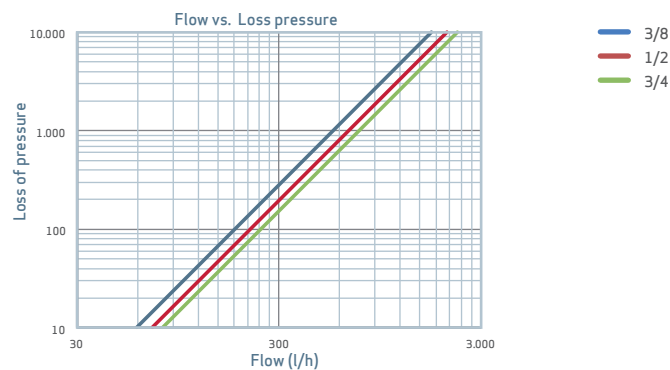


HYDRAULIC FEATURES

TEIDE PLUS+ ANGLE



TEIDE PLUS+ STRAIGHT



INSTALATION AND ASSEMBLY

Check the "heating instructions of installation".

