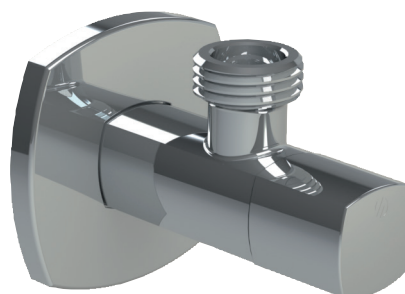




# lipstick valve

*art*



TECHNICAL SHEET 05/2017 | IPO1130

## SCOPE

LIPSTICK are 1/4 turn angle brass stem-ball valves designed for being connected to water pipe systems. They are used to shut off individually water supply to basins, sinks and other different water supply points to proceed to their repairing or replacement.

The VITAQ SYSTEM makes them particularly suitable to avoid the effects of lime, increasing the lifespan of the valve.

LIPSTICK are 1/4 turn valves.

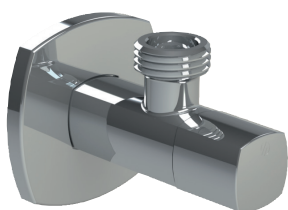
The polished finish of these valves and the internal fixing of the handle, make them especially adequate for installations where the design is a key point together with functionality and security.

## SERVICE CONDITIONS

Nominal pressure:	16 bar
Test pressure:	25 bar
Temperatura range:	cold and hot water up to 95°C
Fluid:	Drinking water and domestic hot water

## SURFACE FINISH

Consult other finishes.



Chrome finished

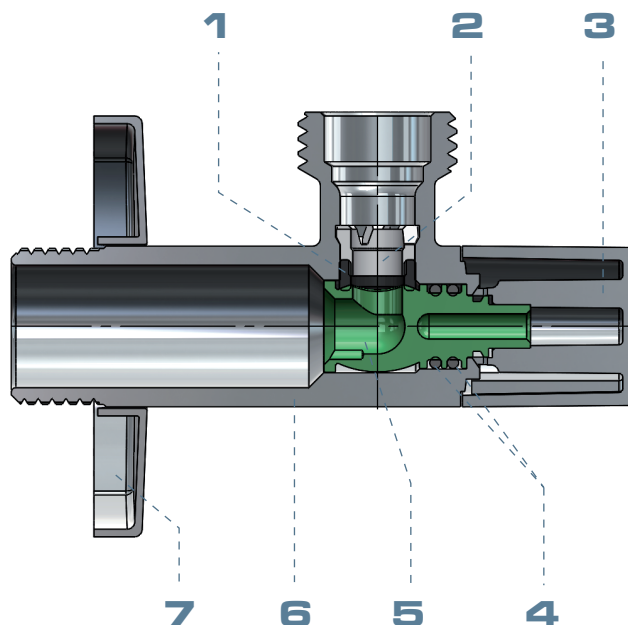


Black graphite



## COMPONENTS

Item	Component	Material	Treatment
1	Seat	NBR	
2	Supporting clip	POM	
3	Handle	Metal	Chrome plated and polished
4	O-rings	NBR	
5	VITAQ stem	Anti-lime polymer	
6	Body	European brass CW617N	Chrome plated and polished
7	Rosette	ABS	Chrome plated



## MAIN CONSTRUCTIVE FEATURES

### Body

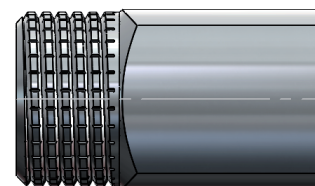
Main body made in one piece in European brass CW617N by means of hot stamping process. Both process and materials confer the following advantages versus casting valves or valves made in different parts:

- Pores and bumpy texture absence.
- Surfaces with better finished.
- Higher mechanical endurance against high pressures.

Furthermore the handle is fixed without any external element.

### Knurled threads

LIPSTICK valves have the classic knurled system from ARCO on the thread to facilitate the installation. It makes easier the application of Teflon, esparto grass... to the thread, avoiding sliding of these elements during its application.





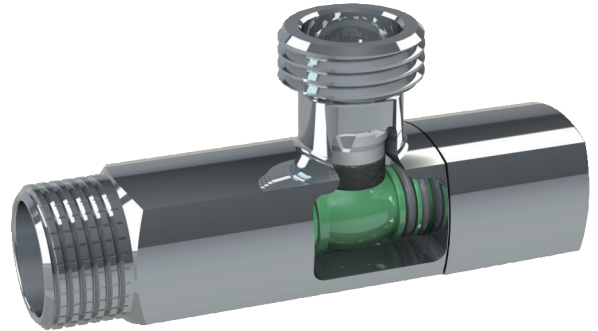
## MAIN CONSTRUCTIVE FEATURES

### VITAQ SYSTEM

Stem and ball are manufactured in one whole piece made of anti-lime polymer, which increases its resistance and performance, avoiding lime effects.

This original ARCO's component has been designed to reduce loss of pressure, keeping a constant flow rate and avoiding noise. As well ball-stem's quarter turn system has the same fundamental features of leak tightness and loss of pressure that you can find in the A•80 series.

VITAQ SYSTEM is the perfect solution to prevent lime problems, that can render useless the valve and maintain the flow rate constant along the time, avoiding the lime to adhere, reducing the water flow.



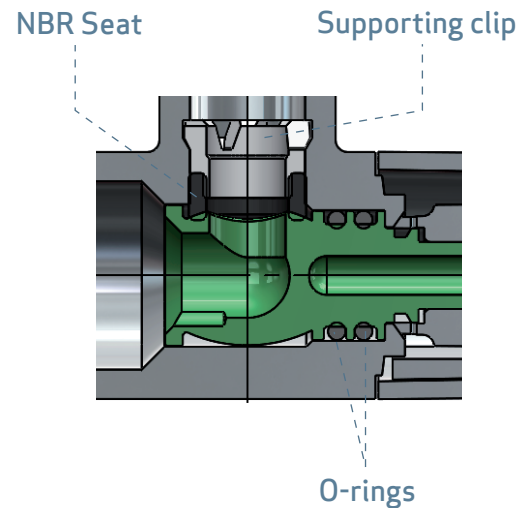
### Internal Leak tightness

The supporting clip made of POM is placed in the valve to push the NBR seat against the stem-ball, assuring internal leak tightness.

This system cannot be dismantled, avoiding improper manipulations.

### External Leak tightness

A pair of NBR O-rings placed on the stem assure external leak tightness. This double joint system guarantees safety against external leakage, use, ageing, etc.

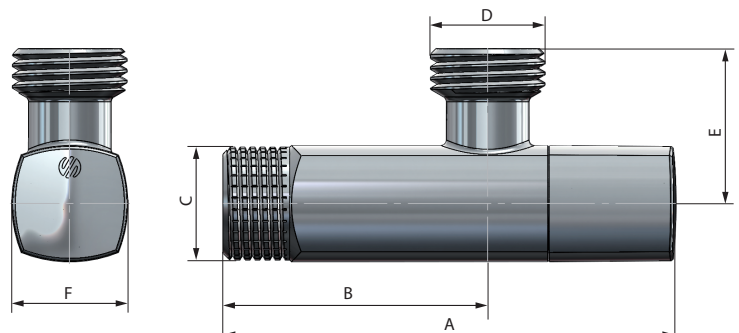


## DIMENSIONS

Lipstick

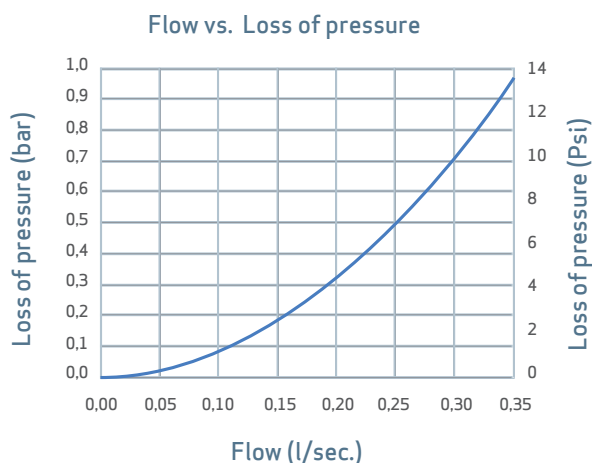
Size	A	B	C	D	E	F
1/2X3/8	82	48	G 1/2	G 3/8	28	21
1/2X1/2	82	48	G 1/2	G 1/2	28	21

G Thread ISO 228



## HYDRAULIC FEATURES

Hydraulic characteristics obtained according Norm EN 1267.



## INSTALATION AND ASSEMBLY

### Instalation

The installation of valves must be done with the right tool, protecting the pressure zone with rubber or a similar material to avoid damage in the polished body. The tool should be adjusted to the flat sides of the body of the valve, avoiding the deformation of the zone by high pressure of the tool.

Components of the valve must not be altered. The substitution or dismantling of the handle can cause external leaks.

All quarter turn handle valves should work totally open.

