

# H valves



TECHNICAL SHEET 03/2011 | IP22010

## SCOPE

These valves are designed to be connected to steel panel radiators. They are used to shut off individually hot water supply to said panels to proceed to its repair or replace.

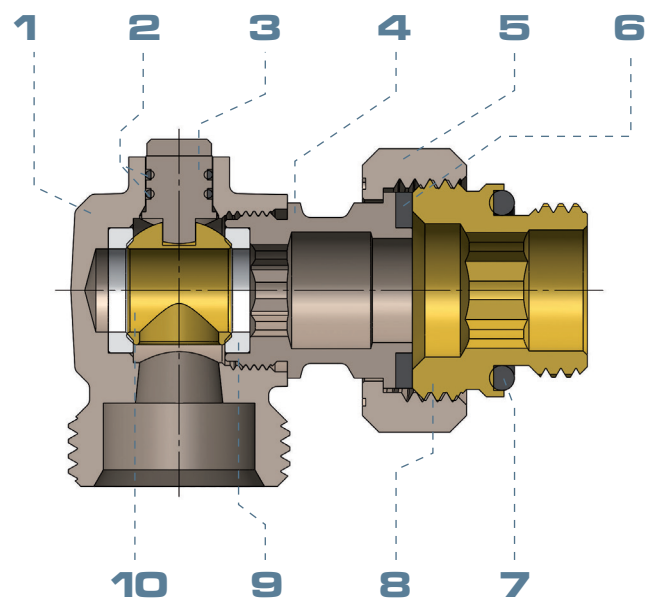
Valves for steel panels are available in straight and angle settings for installations of floor or wall respectively, and are operated by means a  $\frac{1}{4}$  turn.

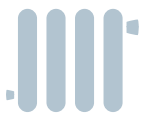
## SERVICE CONDITIONS

Nominal pressure: 10 bar  
Maximum temperature: 110°C

## COMPONENTS

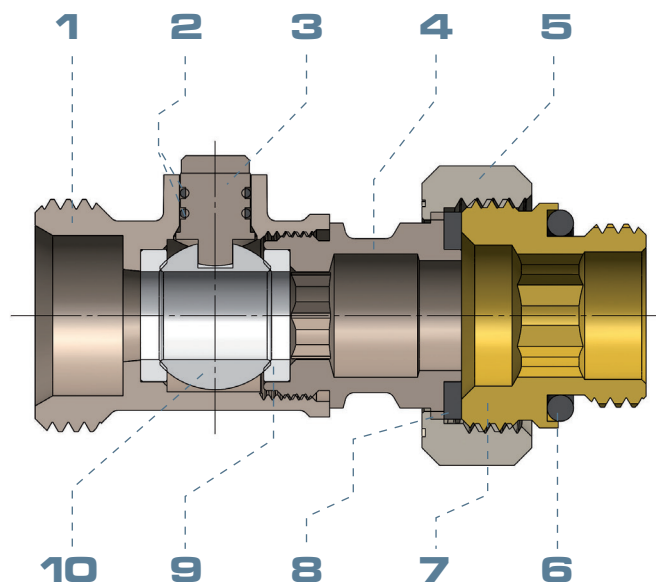
Item	Component	Material	Treatment
1	Body	CW617N European Brass	Nickel plated
2	Seals	EPDM	
3	Stem	CW614N European Brass	Nickel plated
4	Lateral	CW614N European Brass	Nickel plated
5	Nut	CW614N European Brass	Nickel plated
6	Flat joint	EPDM	
7	O-ring	EPDM	
8	Reduced nipple	CW614N European Brass	Brass color
9	Seat	PTFE	
10	ball	CW614N European Brass	Chrome plated





## COMPONENTS

Item	Componente	Material	Tratamiento
1	Body	CW617N European Brass	Nickel plated
2	Seals	EPDM	
3	Stem	CW614N European Brass	Nickel plated
4	Lateral	CW614N European Brass	Nickel plated
5	Nut	CW614N European Brass	Nickel plated
6	O-ring	EPDM	
7	Reduced nipple	CW614N European Brass	Brass color
8	Flat joint	EPDM	
9	Seat	PTFE	
10	Ball	CW614N European Brass	Chrome plated



## MAIN CONSTRUCTIVE FEATURES

### External Leak tightness

A double EPDM o-rings on the stem assure external leakness. This double joint system guarantees safety against external leakage, use, ageing,...

### Internal Leak tightness

Two PTFE seats assure internal leaks tightness.

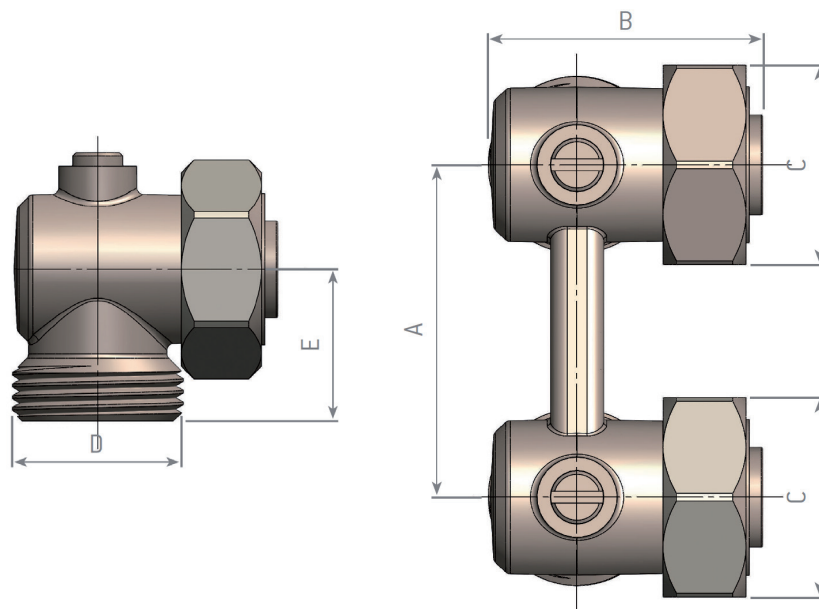
## DIMENSIONS

### Angle valve

A	B	C	D	E
50	39	3/4"G	3/4"G	24

### Straight valve

A	B	C	D
50	47	3/4"G	3/4"G

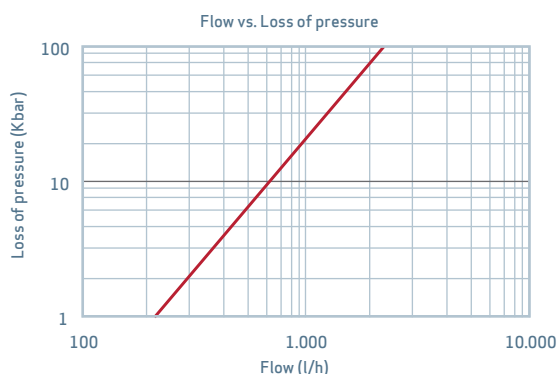




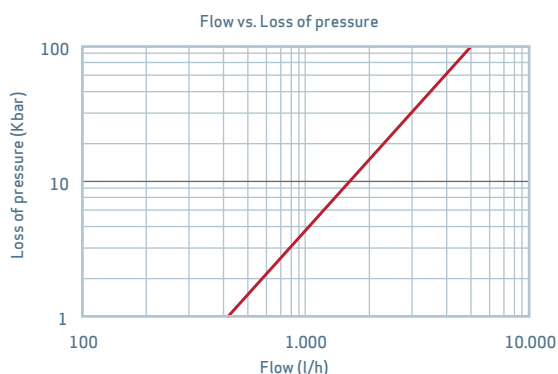
## HYDRAULIC FEATURES

Hydraulic characteristics obtained according to EN 1267.

### ANGLE VALVE



### STRAIGHT VALVE



## INSTALLATION AND ASSEMBLY

The installation of valve must be done with the right tool, which should be adjusted to the flat sides, avoiding the deformation of the zone by high pressure of tool.

Components of the valve must not be modified or disassembled, a leak can occur.

All quarter turn valves for steel panels should work totally open.

