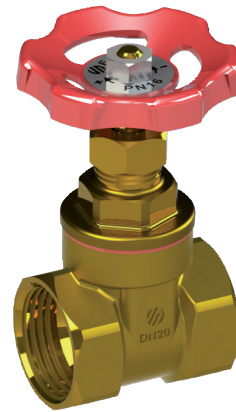




gate valve with metallic closure



TECHNICAL SHEET 10/2016 | IP08050

SCOPE

ARCO's GATE VALVES with Metallic closure belong to STOP series, and by their design and materials are intended to be used in water network systems. In general, all those applications that require a valve for shutting off the water flow.

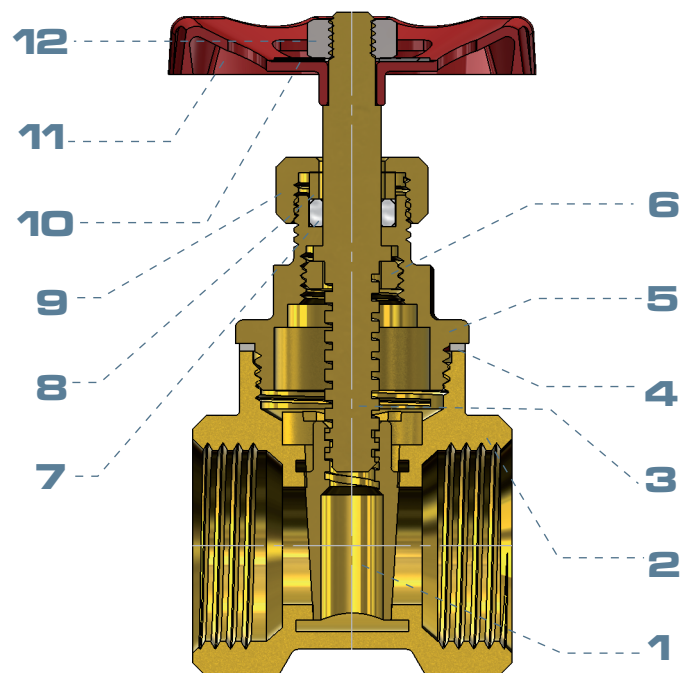
These STOP valves must not be used with residual water, stopping mechanism may block.

SERVICE CONDITIONS

Nominal pressure:	16 bar
Test pressure:	24 bar
Temperatures:	0°C until 85°C (excluding freezing)
Fluid:	Drinking water

COMPONENTS

Item	Component	Material	Treatment
1	Gate	Brass	Brass Colour
2	Body	European Brass CW617N	Brass Colour
3	Stem	European Brass CW614N	Brass Colour
4	Joint	Fiber	
5	Lateral	European Brass CW617N	Brass Colour
6	Stem ring	European Brass CW614N	Brass Colour
7	Sealing Gland	PTFE	
8	Washer	Brass	Brass Colour
9	Packing nut	European Brass CW614N	Brass Color
10	Handwheel	Steel	Red epoxy
11	Plate name	Aluminium	
12	Nut	Iron	Copper plated

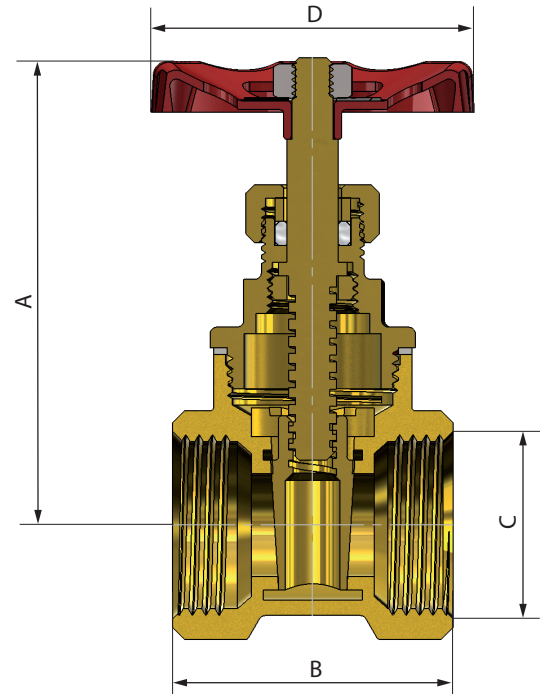




DIMENSIONS

Size	A	B	C	D
1/2FF	65	37	G 1/2	50
3/4FF	67	41	G 3/4	50
1FF	76	44	G 1	59
1 1/4FF	90	50	G 1 1/4	59
1 1/2FF	96	51	G 1 1/2	70
2FF	119	61	G 2	70
2 1/2FF	159	66	G 2 1/2	98
3FF	184	84	G 3	109
4FF	227	80	G 4	131

G Thread ISO 228
Also available with NPT thread



INSTALATION AND ASSEMBLY

Hold the valve from faces of the hexagon, never from the central part or its neck, in order to avoid internal component deformations, in other case the valve could be damaged inevitably.

They can be installed both vertical or horizontal position.

It is recommended to perform a complete opening and closing maneuver every 3 months. This frequency must be increased for waters with a French Hardness over 50°.

