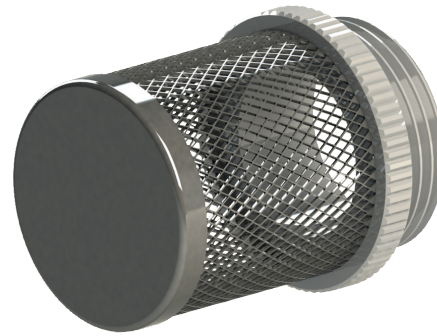




# filter stop serie



**TECHNICAL SHEET 10/2016 | IPO8070**

## SCOPE

FILTERS belong to the STOP series, by its design and raw materials are suitable to be used in drinking water networks.

In general they are intended for all those applications where it is required to protect networks against the certain size particle inlet.

## SERVICE CONDITIONS

Temperature range: 0°C up to 85°C  
(excluding freezing)  
Fluid: Drinking water and water  
with max. % in glycol of 30%.

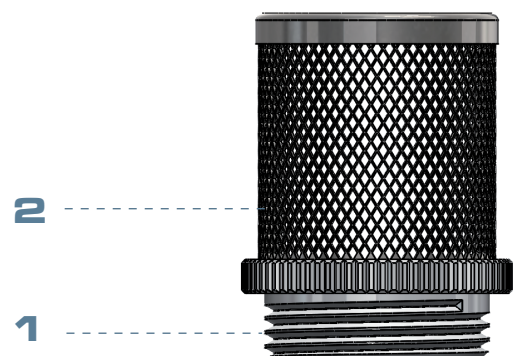
## MAIN CONSTRUCTIVE FEATURES

Filter mesh features:

Hole Maximum Pitch	2mm
Hole inside diameter	1.6mm
Holes per cm2	16

## COMPONENTS

Item	Component	Material
1	Thread	ABS
2	Filter	Stainless steel

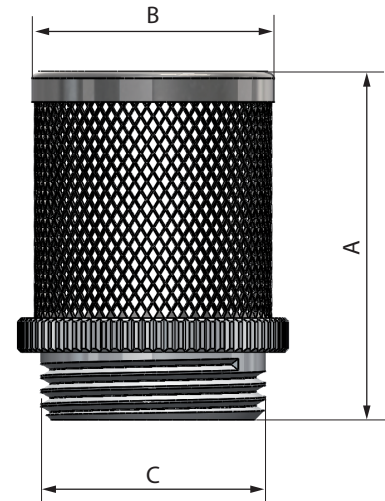




## DIMENSIONS

Size	A	B	C
1/2M	43	24	G1/2
3/4M	45	30	G3/4
1M	54	36	G1
1 1/4M	62	43	G1 1/4
1 1/2M	69	53	G1 1/2
2M	84	63	G2
2 1/2M	93	76	G2 1/2

G Thread ISO 228



## INSTALATION AND ASSEMBLY

Hold the FILTER from the thread connection in order to avoid any possible filter deformation.

FILTER can be installed horizontally or vertically.

Stainless steel filter must be cleaned depending on the utilization, to ensure a best performance and keeping constant the flow rate.

