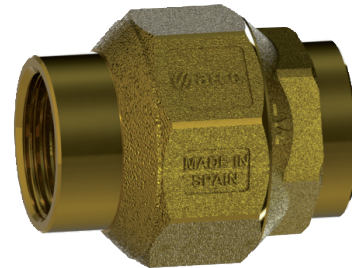




disk chek valve



TECNICAL SHEET 07/2015 | IP08010

SCOPE

ARCO check valves are disk check valves, intended to be used in all those drinking water installations that required a non-adjustable check valve that avoids reverse flow of the water

Drinking water networks
Plumbing networks
Impulse water networks
Pressured water networks

In general all those applications where it is required a check valve working in accordance to the working conditions.

This check valves must not be used with sewage, it could block the check valve.

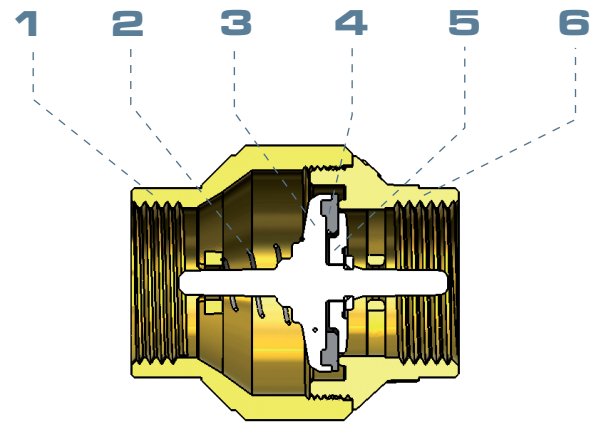
SERVICE CONDITIONS

Nominal pressure:	16 bar
Test pressure:	25 bar
Cracking presssure:	0,1 bar
Temperature range:	0°C up to 80°C
Fluid:	Drinking water and hot water.



COMPONENTS

Item	Component	Material	Treatment
1	Body	European Brass CW617N	Brass color
2	Spring	Stainless steel	
3	Piston	POM	
4	Washer	NBR	
5	Supporting clip	POM	
6	Lateral	European Brass CW617N	Brass color



MAIN CONSTRUCTIVE FEATURES

PISTON

Piston made it in one piece of high impact resistance polymer. This design avoids the breaking of the piston in two pieces, as occurs in other pistons made it with two glued pieces.



LEAKTIGHTNESS

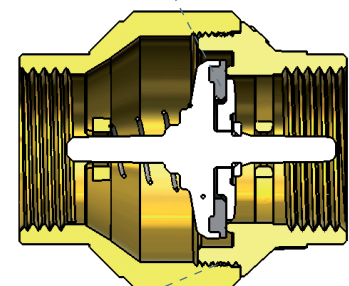
Internal

Internal leaktightness or ability to prevent the backflow (piston closed) is assured by a NBR washer.

External

External leaktightness is assured by the mechanical and sealed union between the body and lateral.

Washer



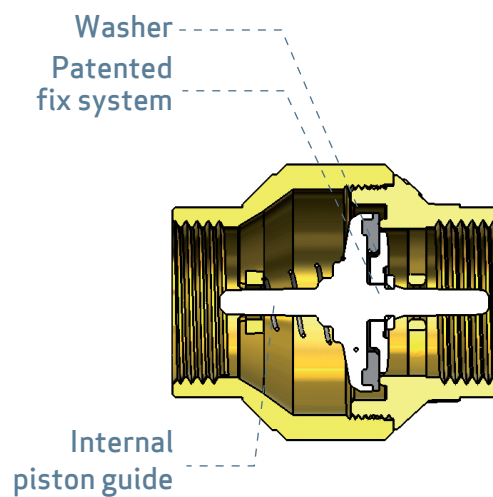
Seal joint



MAIN CONSTRUCTIVE FEATURES

WEAR RESISTANCE

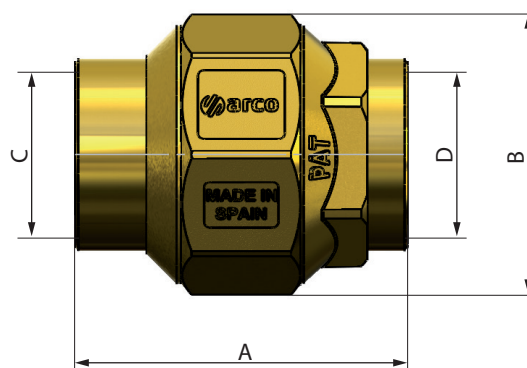
Specific geometry of the washer, internal piston guide finishes and the patented system to fix the washer and the piston makes possible that the ARCO check valve are able to bear more than 200.000 cycles in the service conditions specified.



DIMENSIONS

Size	A	B	C	D
1/2 HH	48	E/C 35	G 1/2	G 1/2
3/4 HH	54	E/C 42	G 3/4	G 3/4
1 HH	61	E/C 48	G 1	G 1
1 3/4 HH	67	E/C 60	G 1 1/4	G 1 1/4
1 1/2 HH	73	E/C 71	G 1 1/2	G 1 1/2
2 HH	80	E/C 87	G 2	G 2
2 1/2 HH	100	E/C 103	G 2 1/2	G 2 1/2

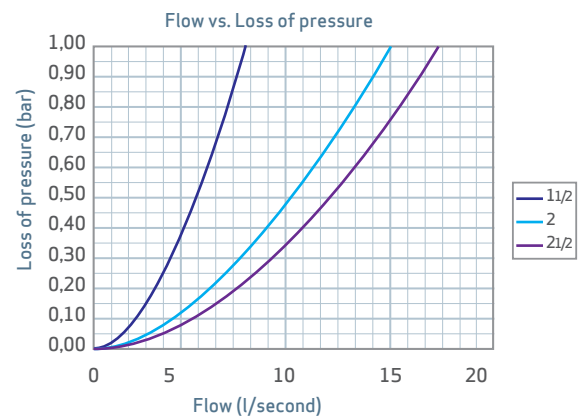
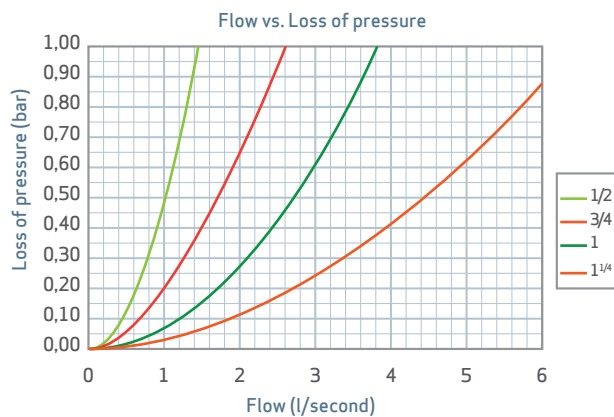
Threads G ISO 228





HYDRAULIC FEATURES

Hydraulic features obtained according to EN 1267 standard.



INSTALLATION AND ASSEMBLY

Check valves do not require maintenance, it is suggested the use of a filter upstream to assure the correct working of the valve.

They can be install in horizontal or vertical, but always following the direction of the arrow engraved on the body.

